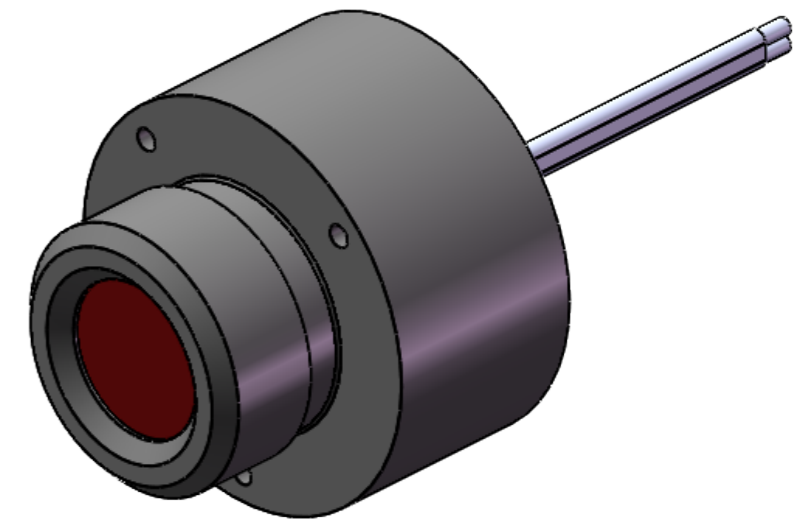
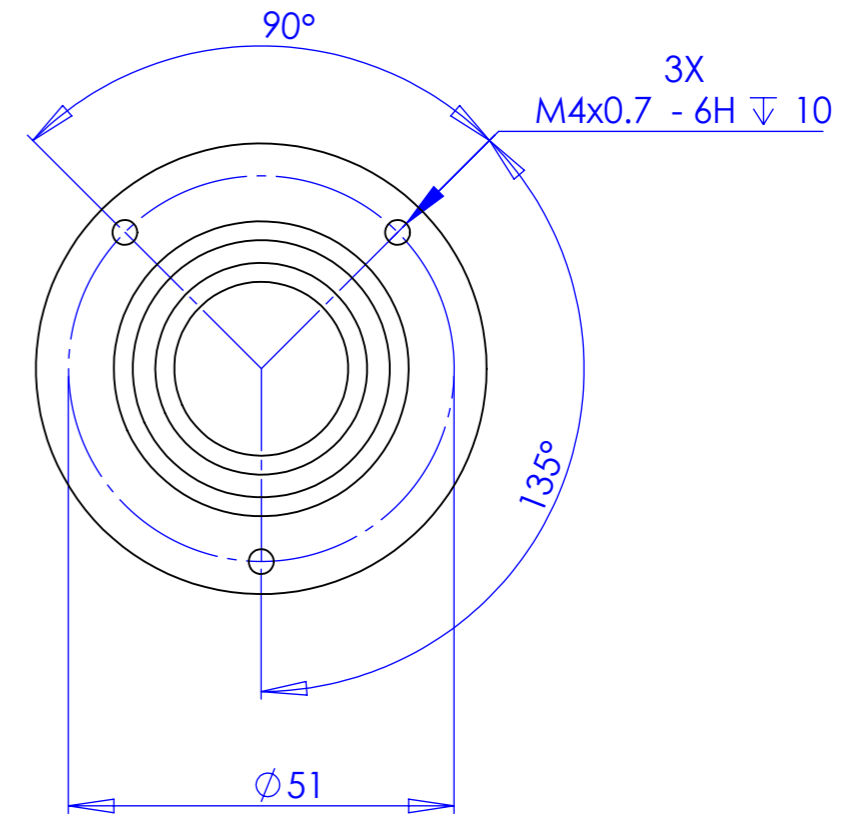
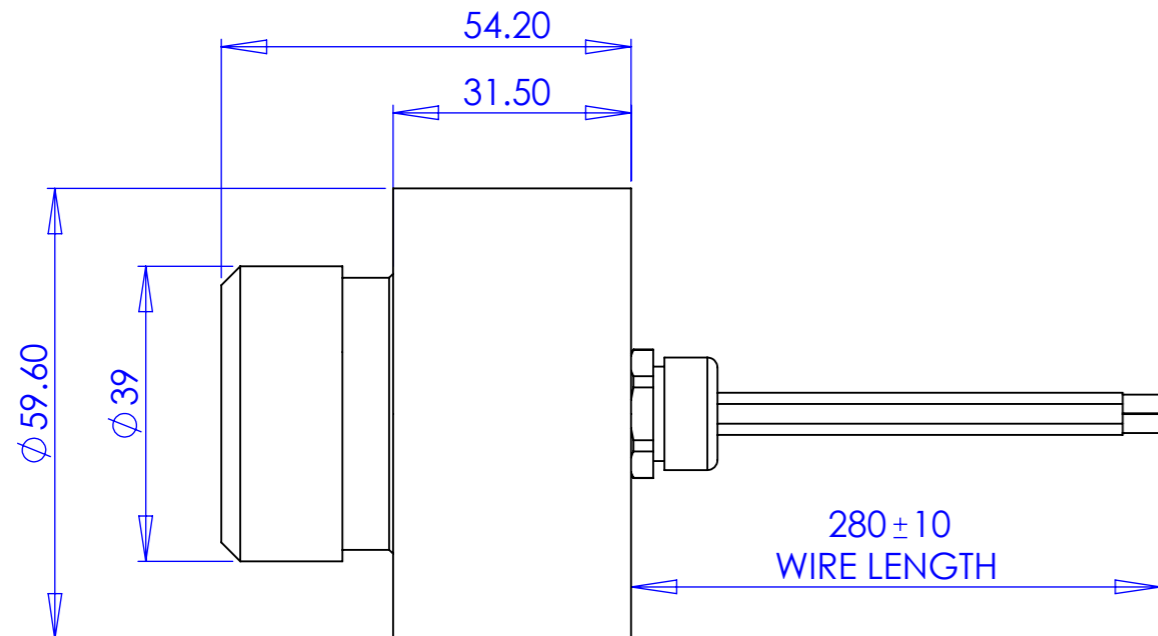


THIS DOCUMENT AND THE INFORMATION CONTAINED IN IT ARE PROPRIETARY AND CONFIDENTIAL TO LED-R, NO PERSON IS ALLOWED TO COPY, REPRINT, REPRODUCE OR PUBLISH ANY PART OF THIS DOCUMENT, NOR DISCLOSE ITS CONTENTS TO OTHERS, NOR MAKE ANY USE OF IT, NOR ALLOW OR ASSIST OTHERS TO MAKE ANY USE OF IT - UNLESS BY THE PRIOR WRITTEN EXPRESS AUTORIZATION OF LED-R AND THEN ONLY TO THE EXTENT AUTHORIZED.  
(C) COPYRIGHT - CDN Technologies Ltd.

REVISIONS			
REV.	DESCRIPTION	DATE	APPROVED
A	-	29/12/2011	D.C



SPECIFICATIONS	
LED Array wavelength	850nm
Radiant power	180mW
Power consumption	2.4Watt
Input voltage	7 to 32 VDC
Weight	125 gm
Protection Standard	IP66
Finish	Black Anodize
Operating Temperature	-35°C to +54°C
Operating Humidity	5% - 100%

P/N	VIEW ANGLE [2θ, °]
DPI-011-850-B15	15
DPI-011-850-B25	25
DPI-011-850-B45	45
DPI-011-850-B60	60

UNLESS OTHERWISE SPECIFIED DIMENSIONS ARE IN mm		Material	-			Ben-Shemen #32 Zip: 73115 Tel: 972 -52-511-8159 Sales@led-r.com
TOLERANCES		Finish	BLACK ANODIZE			
LINEAR	ANGULAR	DWG	D.C.	29/12/2011	TITLE	
± 0.1	± 0.2	DSGN	D.C.		DPI-011-850-BXX ASM	
1st. ANGLE PROJECTION		CHKD	D.C.		SIZE	PROJ NAME
		QTY:	1		A3	
		FILE NAME:	DPI011850BXX ASM		DWG NO	REV
					11001018	A
© COPYRIGHT - CDN Technologies Ltd.		SCALE: 1:1		REMOVE BURRS 0.2 x 45°		SHEET 1 OF 1