

VN5-0603 Vehicle internal light Without On/Off Switch

Applications
Vehicle modification
Law Enforcement
Security Vehicles



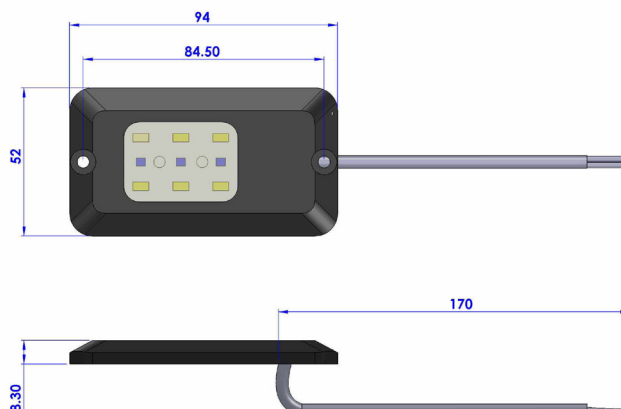
The VN5-0603 series of internal vehicle illuminators feature 2 light options in one product, low profile and small size with high light output. Using top quality LED for long operation duration.

The illuminator is rugged, designed for harsh environments and severe operating conditions, with anodized Aluminum shell.

A Compact design and several lighting options allow a variety of applications for many types of vehicles.

Specifications

Power Consumption 3 W
Input Voltage 10 to 28VDC
Weight 90g
Operating Temperature -35°C to +54°C
Operating Humidity 5% to 95%
Dimensions 116x52x8.3mm
Finish Black or Natural Anodize



Ordering information

VN5-0603 - B - CW - N - XXX
1 2 3 4 5

1	Series and model	
2	Frame Finish	N: Natural AL Anodize B: Black Anodize
3	Main light white color	CW: 5500K -6000K WW: 3500-4000K
4	Secondary light color	B: Blue R: Red W: White N: None
5	Wire requirement	Contact us for customization requirements