

Military Dome Light

The DOME LIGHT series is an internal illuminators for military applications. Feature 2 light options in one product, low profile and small size.

The Dome Light designed and is used in 30mm turrets. It is approved for MIL-STD-461 and MIL-STD-1275.

The Dome Light used in few turrets designs and armored vehicles around the world.

The illuminator is rugged, designed for harsh environments and severe operating conditions, with Anodized Aluminum shell.

The DOME LIGHT series has several lighting options due to the integrated microprocessor controller. The microprocessor controller allows a verity of operation options with or without external control inputs and can be easily customized for any user interface and external discrete control lines.



Two different designs:
MDL-0401 with pig tail.

MDL-W401 Wall Mount connector.

Specifications

Power consumption: 5W White, 1W Blackout.

Input voltage: 12 to 32 VDC

Weight: up to 420g

Operating Temperature: -35°C to +55°C

Operating humidity: 5% to 95%

Dimensions: 120x84x25.5 mm

Protection: IP65

Finish Black Anodize

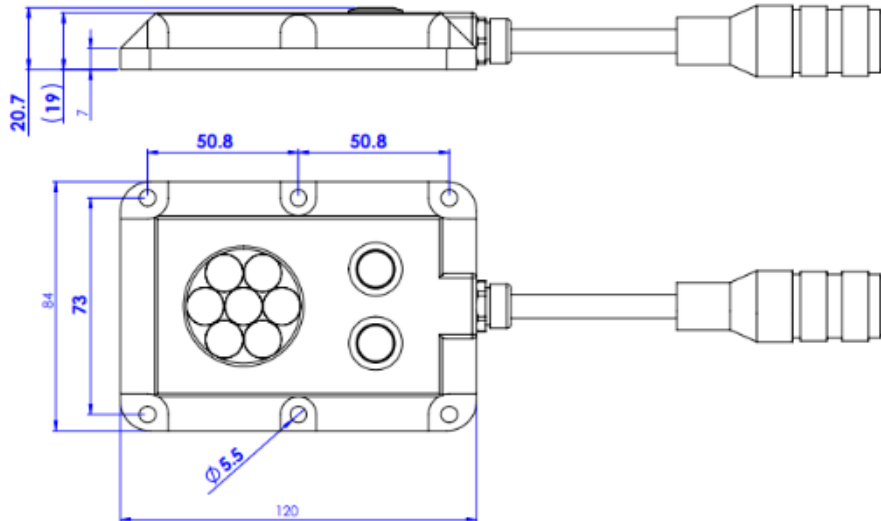
Ordering information

MDL-0401- CW - G - XXX

1 2 3 4

1	Series and model	MDL-0401	OR	MDL-W401
2	Main light white color	CW: 5500K -6000K	NW: 4500K	
3	Secondary light color	B: Blue	R: Red	W: White G: Green N: None
4	Customizations	Contact us for customization requirements		

MDL-0401 with pig tail



MDL- W401 Wall Mount connector

