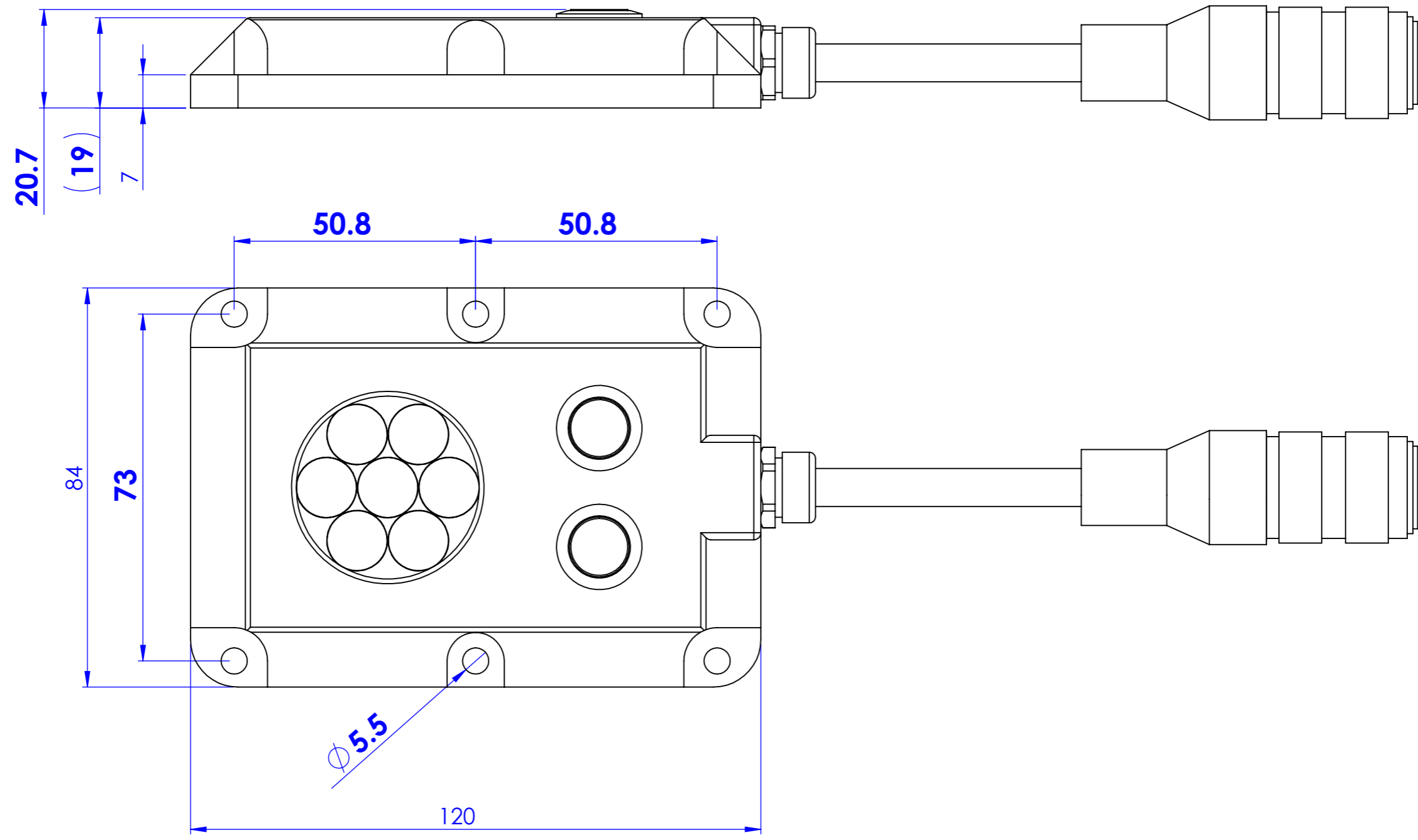

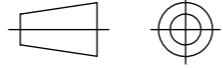


THIS DOCUMENT AND THE INFORMATION CONTAINED IN IT ARE PROPRIETARY AND CONFIDENTIAL TO LED-R, NO PERSON IS ALLOWED TO COPY, REPRINT, REPRODUCE OR PUBLISH ANY PART OF THIS DOCUMENT, NOR DISCLOSE ITS CONTENTS TO OTHERS, NOR MAKE ANY USE OF IT, NOR ALLOW OR ASSIST OTHERS TO MAKE ANY USE OF IT - UNLESS BY THE PRIOR WRITTEN EXPRESS AUTORIZATION OF LED-R AND THEN ONLY TO THE EXTENT AUTHORIZED.
 (C) COPYRIGHT - *CDN Technologies Ltd.*

REVISIONS			
REV.	DESCRIPTION	DATE	APPROVED
A	-	20/10/2015	D.C



UNLESS OTHERWISE SPECIFIED DIMENSIONS ARE IN mm		Material	-			Ben-Shemen #32 Zip: 73115		
		Finish	-			Tel: 972 -52-511-8159 Sales@led-r.com		
TOLERANCES		DWG			TITLE	MDL-0401 DOME LIGHT		
LINEAR	ANGULAR	DSGN	D.C.	20/10/2015				
± 0.1	± 0.2	CHKD	D.C.					
1st. ANGLE PROJECTION		QTY:	1		SIZE	PROJ NAME	DWG NO	REV
		FILE NAME:		A3		MLD0021610	A	
		MDL0021610 MDL-041 DOME LIGHT ASM		SCALE: 1:1		REMOVE BURRS 0.2 x 45°	SHEET 1 OF 1	
		© <i>CDN Technologies Ltd.</i>						