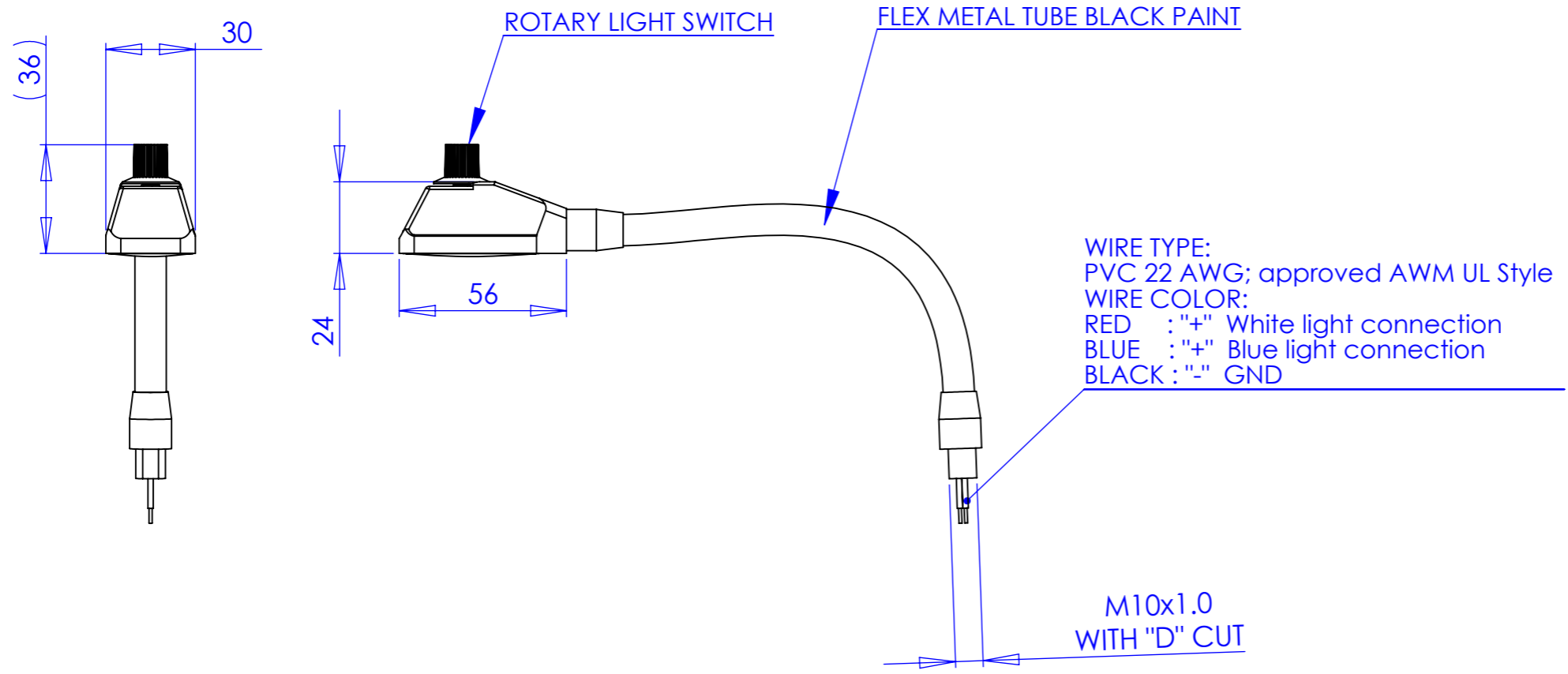
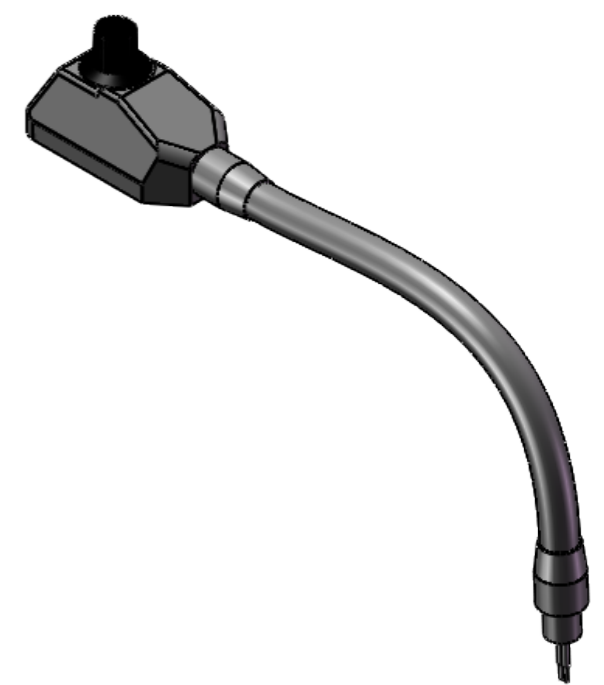
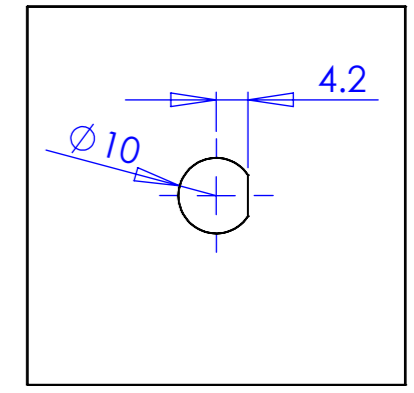


THIS DOCUMENT AND THE INFORMATION CONTAINED IN IT ARE PROPRIETARY AND CONFIDENTIAL TO *CDN Technologies Ltd.*, NO PERSON IS ALLOWED TO COPY, REPRINT, REPRODUCE OR PUBLISH ANY PART OF THIS DOCUMENT, NOR DISCLOSE ITS CONTENTS TO OTHERS, NOR MAKE ANY USE OF IT, NOR ALLOW OR ASSIST OTHERS TO MAKE ANY USE OF IT - UNLESS BY THE PRIOR WRITTEN EXPRESS AUTHORIZATION OF *CDN Technologies Ltd.* AND THEN ONLY TO THE EXTENT AUTHORIZED.
(C) COPYRIGHT - *CDN Technologies Ltd.*

REVISIONS			
REV.	DESCRIPTION	DATE	APPROVED
C	ADD P/N chart	06/11/2017	D.C
D	ADD PANEL INTERFACE HOLE	20/04/15	D.C.
A	TEXT ERROR	02/05/15	D.C



PANEL INTERFACE for 25cm Flex Tube



SPECIFICATIONS	
Light Flux	White: 37 lm
	Blue : 4 lm, 470nm Upto 525
	Red: 35lm (optional)
Approx Light angle	120°
Power consumption	0.7W white light
	0.25W Blue light
Input voltage	12 to 28 VDC
Operating Temperature,	-25°C. To +52°C.
Flexible tube length	25, 50 CM OR OTHER
Body parts	Aluminum, Black Anodize
WEGHIT 25cm	135gm

Ordering information


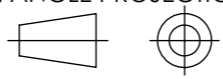
		<u>MPB- 1 2 D - 25 10</u>		
		1	2	3
1	Series	MPB – Map Light with Blackout mode		
2	Main Light Color temp. (±350k)	1: 6000K	2: *	
3	2 nd Light Color	1: Red	2: Blue	
4	Switch type	D : Dimmer		
5	*Flex Tube Length (cm)	25: 25cm	35: 35cm	50: 50cm
6	*Flex Tube Diameter (mm)	10: 10mm	13: 13mm	

* Please contact us for any other requirements

Popular models:

- MPB-12D-2510
- MPB-12D-3510
- MPB-12D-5013

***FOR BLACKOUT MODE DISCONNECT RED POWER LINE**

UNLESS OTHERWISE SPECIFIED DIMENSIONS ARE IN mm		Material	-			Ben-Shemen #32 Zip: 73115		
		Finish	BLACK ANODIZE			Tel: 972 -52-511-8159 Sales@led-r.com		
TOLERANCES		DWG			MPB12D MAP LIGHT with Blackout mode			
LINEAR ANGULAR		DSGN	D.C.	06/11/2017				
± 0.1 ± 0.2		CHKD	D.C.					
1st. ANGLE PROJECTION		QTY:	1		SIZE	PROJ NAME	DWG NO	REV
		FILE NAME:		MPB 12D BLACKOUT	A3		MPB0002	A
© <i>CDN Technologies Ltd.</i>		SCALE: 1:2		REMOVE BURRS 0.2 x 45°	SHEET 1 OF 1			